

V-2000HD

MANUAL SCREEN PRINTER

Features:

- 25 Year Warranty¹.
- Quick release, never warp steel pallets with rubber tops.
- Gas lifters with 16 position variable lift strength.
- Embedded Registration bearings (close to the screen).
- Anti-backlash screen arm hinge bearings.
- 12" wide steel rear screen clamps.
- All heads down.
- Heavy gauge all steel construction.
- Tool-less micro-registration (zero backlash) with 6-way print head leveling.
- Elevated pallets - no need to stretch shirts over the arm (ideal for youth shirts).
- Adjustable roller position lock bearings.
- Industrial strength steel tube legs.
- Mammoth 2 3/4" diameter center shaft.
- Will fit through 33" doorway.

Options:

- Cap, jacket and **numbering attachments** available.
- Pallets: leg, short leg, sleeve, youth, mini, pocket, over-sized, vacuum and more.
- Side clamps, removable or fixed.
- Adjustable micro clamp knobs.
- Wheels and levelers.



V2HD-66
6-station / 6-color



V2HD-88
8-station / 8-color



Our Warranty Says It All!

1032 North Irving Street
Allentown, PA 18109-1846
USA

Phone: +1.610.434.6004
Toll Free: 1.800.482.7839
Fax: +1.610.434.6607

WWW.VASTEX.COM

Heavy Duty Precision Machines - Built To Last A Lifetime!

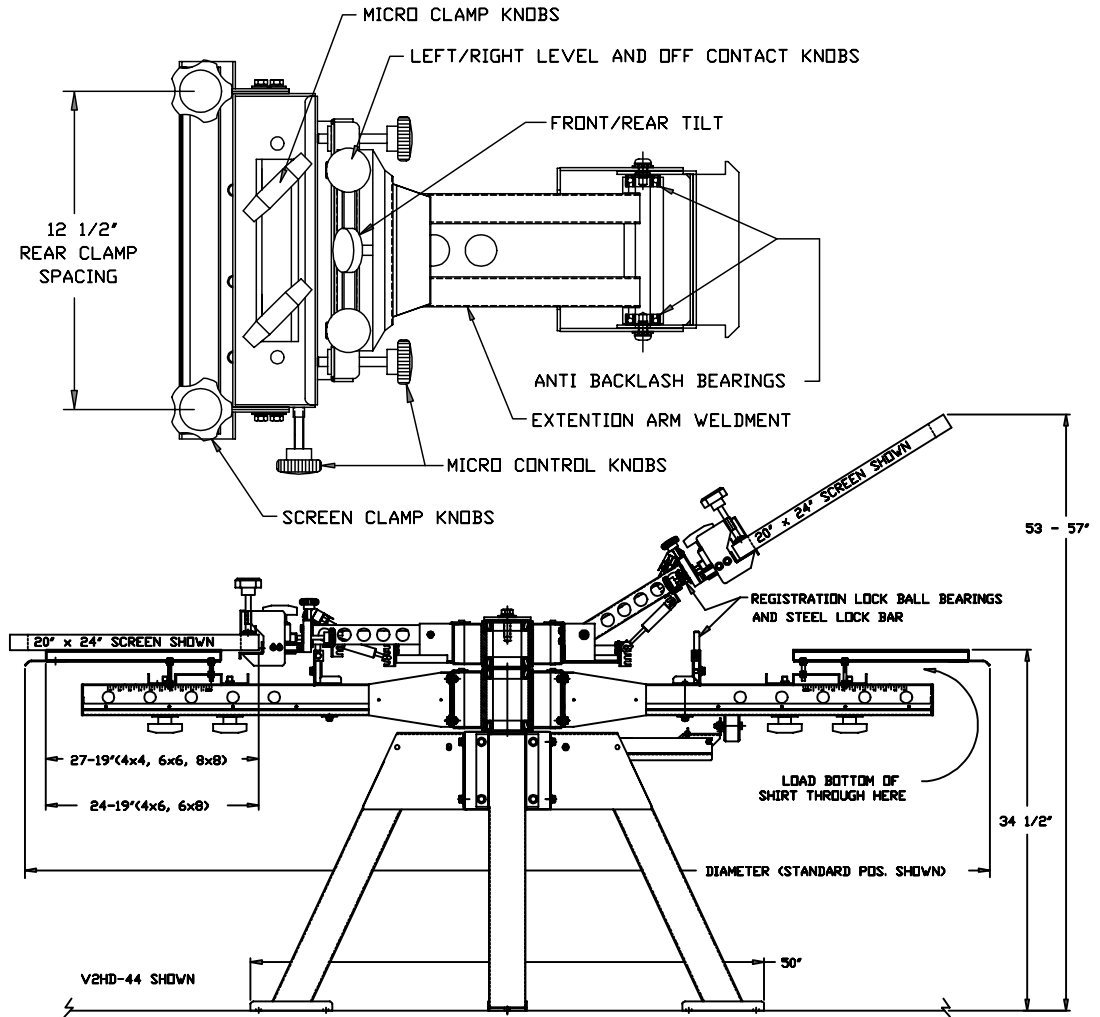
Did You Know?

With over 40+ years in the screen printing industry, Vastex has the knowledge and experience to build a printing system that is accurate, user friendly, affordable and built to last a lifetime!

As the pioneer in multi-color screen printing, we have more unique designs and features built-in to our presses than we could ever fully list here. And our quality is such that we warrant all our presses 25 years¹! Vastex printers can be ordered in any combination of stations or colors from 1 station - 1 color table-tops up to full rotary 10 station - 10 color presses and are fully upgradeable so your printing system can grow with your business.

Add our optional unique numbering system and get ready to tackle your competition! To learn more, visit www.vastex.com.

Technical Specifications



V2HD-44

V2HD-66

V2HD-88

| | V2HD-44 | | V2HD-66 | | V2HD-88 | |
|-----------------------------------|---------------------------|--------------------|----------------------|--------------------|-------------------|--------------------|
| Diameter - Standard | 93" | 236 cm | 99" | 252 cm | 105" | 267 cm |
| Diameter - Fully Extended | 105" | 267 cm | 111" | 282 cm | 117" | 297 cm |
| Max Screen Width | 39" | 99 cm | 27" | 69 cm | 24" | 61 cm |
| w/ optional side clamps | 24" | 61 cm | 24" | 61 | 21" | 53 cm |
| Standard Pallet Size | 15" x 17" | 38 x 43 cm | 15" x 17" | 38 x 43 cm | 15" x 17" | 38 x 43 cm |
| Max Pallet Available ² | 17" x 21" | 43 x 53 cm | 17" x 21" | 43 x 53 cm | 17" x 21" | 43 x 53 cm |
| Table Height | 34 1/2" | 88 cm | 34 1/2" | 88 cm | 34 1/2" | 88 cm |
| Unit Weight | 400 lbs | 182 kg | 550 lbs | 250 kg | 750 lbs | 340 kg |
| Shipping Weight | 500 lbs | 227 kg | 650 lbs | 295 kg | 875 lbs | 397 kg |
| Shipping Size | 47"x47"x48" | 120 x 120 x 122 cm | 47"x47"x48" | 120 x 120 x 122 cm | 76" x 47" x 60" | 193 x 120 x 153 cm |
| Fits Thru Doorway | Yes - 30" | Yes - 76 cm | Yes - 33" | Yes - 84 cm | Yes - 33" | Yes - 84 cm |
| Expandable | To 6 or 8 station / color | | To 8 station / color | | Check with Vastex | |

• All Vastex print heads and pallet arms are compatible with all Vastex printers including tabletop and freestanding machines.

¹ 25 year limited warranty. Gas springs and rubber mats covered for 3 years. Visit www.vastex.com for specific terms and conditions.

² Maximum pallet kept in stock. Custom and larger size pallets are available.